

Recharge



SEVEN_{PRO}

Product Datasheet



DATASHEET V1.2 2024

I N T R O D U C T I O N

This manual, and the functions described in it, are valid for the installation of VCHRGD Technologies tethered and socketed, 7 kW AC chargers. It's designed for use exclusively by trained, qualified personnel to aid them in the installation and commissioning of the VCHRGD Seven Pro.

These are people who, due to their training, skills and experience, and knowledge of the relevant standards, can assess the work assigned to them and identify possible dangers and any protective devices required to meet the regions relevant wiring standards and regulations.

The illustrations and explanations contained in this manual refer to a typical version of the device your device version should not, but may differ from this.

Please refer to the manual for information and instructions for operating the device, fault identification and commissioning.



INTRODUCTION

PRODUCT FEATURES

UNTETHERED TYPE 2 UNIVERSAL



TETHERED 5 OR 7.5M TYPE 2



KEY FEATURES



Load Balancing

Hard wired dynamic load balancing with CT provided in box. Never overload your main supply



Robust Casing

Robust IK10 rated ABS casing. Chargers built to last in any environment



Push Fit

Simple installation with modular charging hardware, increased wiring area push fit connection



PEN Protection

Simplified installation and reduced project costs, through built in OPEN protection



RFID

Built-in RFID reader for easy charge card registration and local charge authorisation



OCPP 1.6

OCPP 1.6 compliant for easy integration with plethora back-end service providers



Universal Socket

Universal Type 2 socket or tethered 5 metre Type 2 cable built in for the same price.



Solar Integration

Our chargers monitor your solar export allowing you to charge for free with 1 or 2 CT Inputs



Secure

Compliant with all UK smart charging standards & encrypted bluetooth, WiFi & RFID.



Cable Lock

Turning untethered chargers into tethered at the touch of a button. Secure your cable.

S P E C I F I C A T I O N

KEY SPECIFICATIONS

Electrical Characteristics

| | |
|---------------------------|--|
| Charger Type | Mode 3 (IEC61851-1) |
| Nominal Supply | Single phase 230V, 50/60Hz |
| Charging Power | Up to 32A (7kW) |
| Over Current Protection | 40A |
| Current rating | Adjustable (6A to 32A) |
| Standby Power Consumption | <2.5W |
| Earth Leakage Protection | AC 30mA + DC 6mA |
| PEN Protection | PE Current (BS7671:722.411.4.1 Ident ii & v) |
| Supply Connection | L, N + PE / CT1 + CT2 |

Connectivity

| | |
|------------------------|--|
| WiFi | (IEEE 802.11bgn) @ 2.4Ghz WPA-2 |
| Connection security | Transport Layer Secure Encryption HTTPS |
| Bluetooth | 2.4GHz |
| RFID | ~ 120 -140kHz |
| 4G Cellular *Optional* | ~ 600 MHz -2.5 GHz |

Mechanical Features

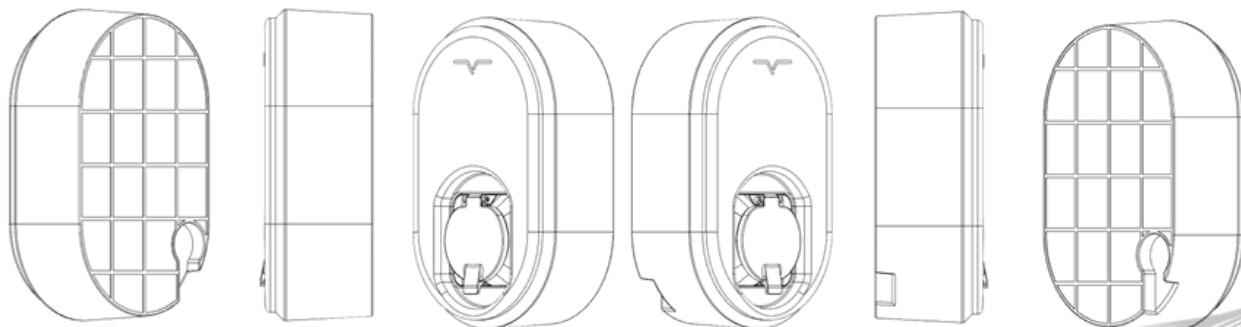
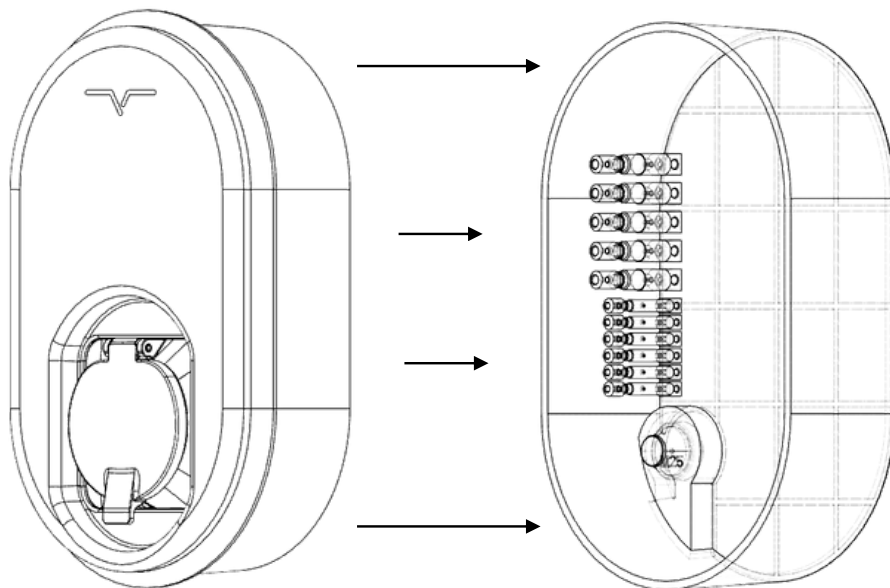
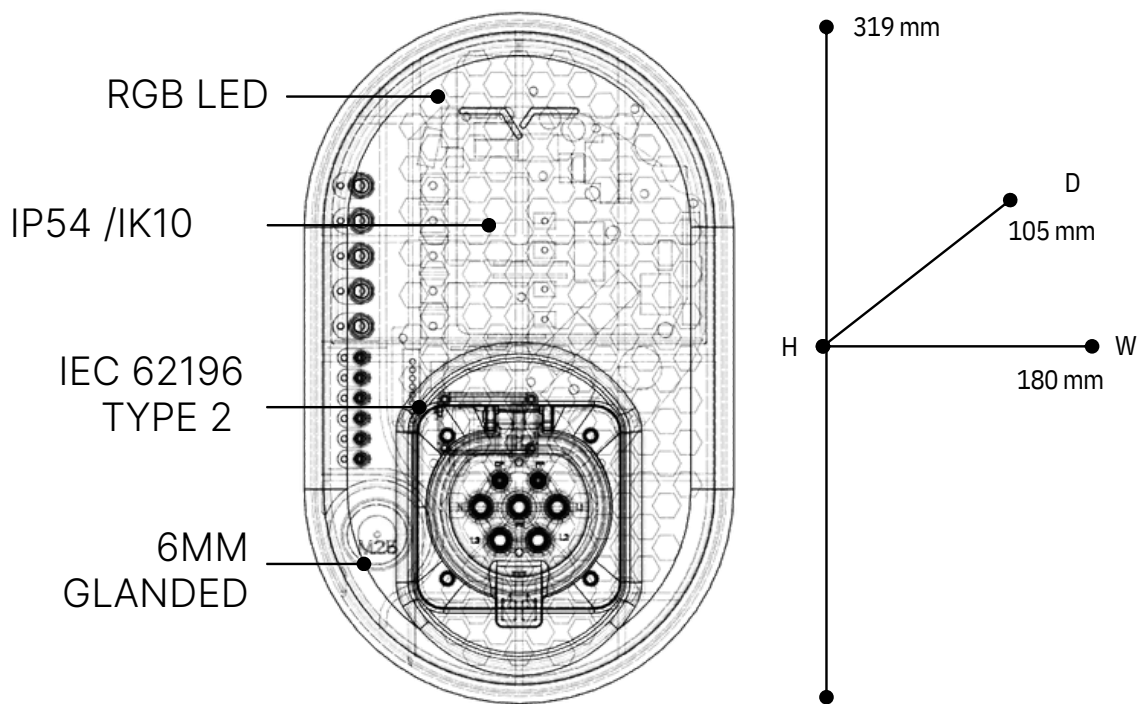
| | |
|-------------------|---|
| Connector | Type 2 IEC62196 |
| Mounting | Wall or Pedestal |
| Dimension (mm) | 300 (L) 180 (H) 90 (D) |
| Weight | 3kg approx. (excl. charging cable) 4kg w/ cable |
| IP Class/IK Class | IP55 / IK10 |

Safety & Operational Ratings

| | |
|-------------------------------|--------------------------------|
| Status | LED Indication |
| Operating Ambient Temperature | -25°C to 50°C |
| Relative Humidity | 5% -90% |
| Atmospheric Pressure | 80kPA -110kPA |
| EMC Compliance | EN55011 Class B |
| Integral Protection | Under & Over Voltage & Current |
| | 6mA DC Leakage, RCDD |
| | PEN Fault Detection |

SPECIFICATION

CASING & DIMENSIONS



P A C K A G I N G

I N S I D E T H E B O X

I N T E R N A L P A C K A G I N G

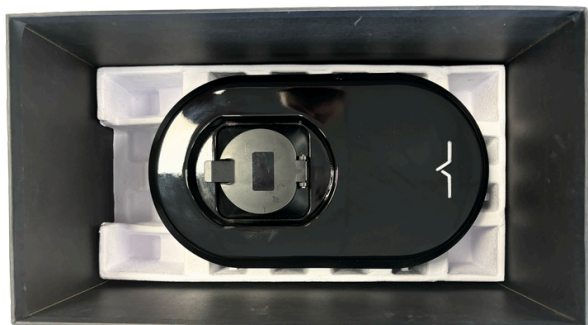
I N T E R N A L P R O T E C T I V E P A C K A G I N G

KEEP ME GUIDE, FIXINGS PACK, 2X RFID CARDS



C H A R G E P O I N T

7KW CHARGEPOINT W/ CABLE IF TETHERED



E X T E R N A L P A C K A G I N G

P R O T E C T I V E C A R B O A R D S L E E V E

RIGID CARBOARD, REMOVE TOP TO OPEN

FEATURES & BLURB ON BOTTOM OF SLEEVE



100% RECYCLABLE

ALL PACKAGING MATERIALS ARE 100% RECYCLABLE AND SHOULD BE RESPONSIBLY DISPOSED OF AFTER INSTALLATION



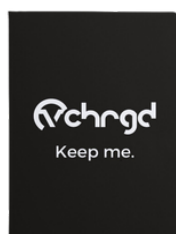
● F I X T U R E S

- 4 X WALL MOUNTING SCREWS
- 4 X WALL PLUGS
- 3 X FERRULES
- 1 X TORX+ DRILL BIT
- 5 X TORX+ BACK BOX SCREWS



● C T C L A M P

- 1 X CT CLAMP AS STANDARD
- 2ND CT CLAMP IF ORDERED
- EASTRON SPLIT CORE CT 120A
- RATED INPUT 40MA OUTPUT
- 0.5% ACCURACY



● K E E P M E G U I D E

- COMMISSIONING & SET UP GUIDE
- TO BE LEFT WITH CUSTOMER
- INSTALLER PASSWORD, APP SET
- UP CREDENTIALS & QR CODES TO
- DOWNLOAD USER/INSTALL APPS



● R F I D C A R D S

- 2 X TAP & CHARGE RFID CARDS
- USED TO AUTHORISE CHARGING
- IN TANDEM WITH VCHRGD HOME
- APP, OR IN STANDALONE RFID
- MODE IF NO DATA CONNECTION

NOTE | IT IS IMPORTANT TO ENSURE THAT THE CUSTOMER RETAINS THE KEEP ME GUIDE FOR HOME APP SIGN UP AND ONGOING SUPPORT PURPOSES.

Looking to learn a little more?
Why not reach out...



01494 370525



sales@vchrgd.com



www.vchrgd.com



1A Eghams Court, SL8 5YS



SIMPLICITY | SUSTAINABILITY | SUPPORT